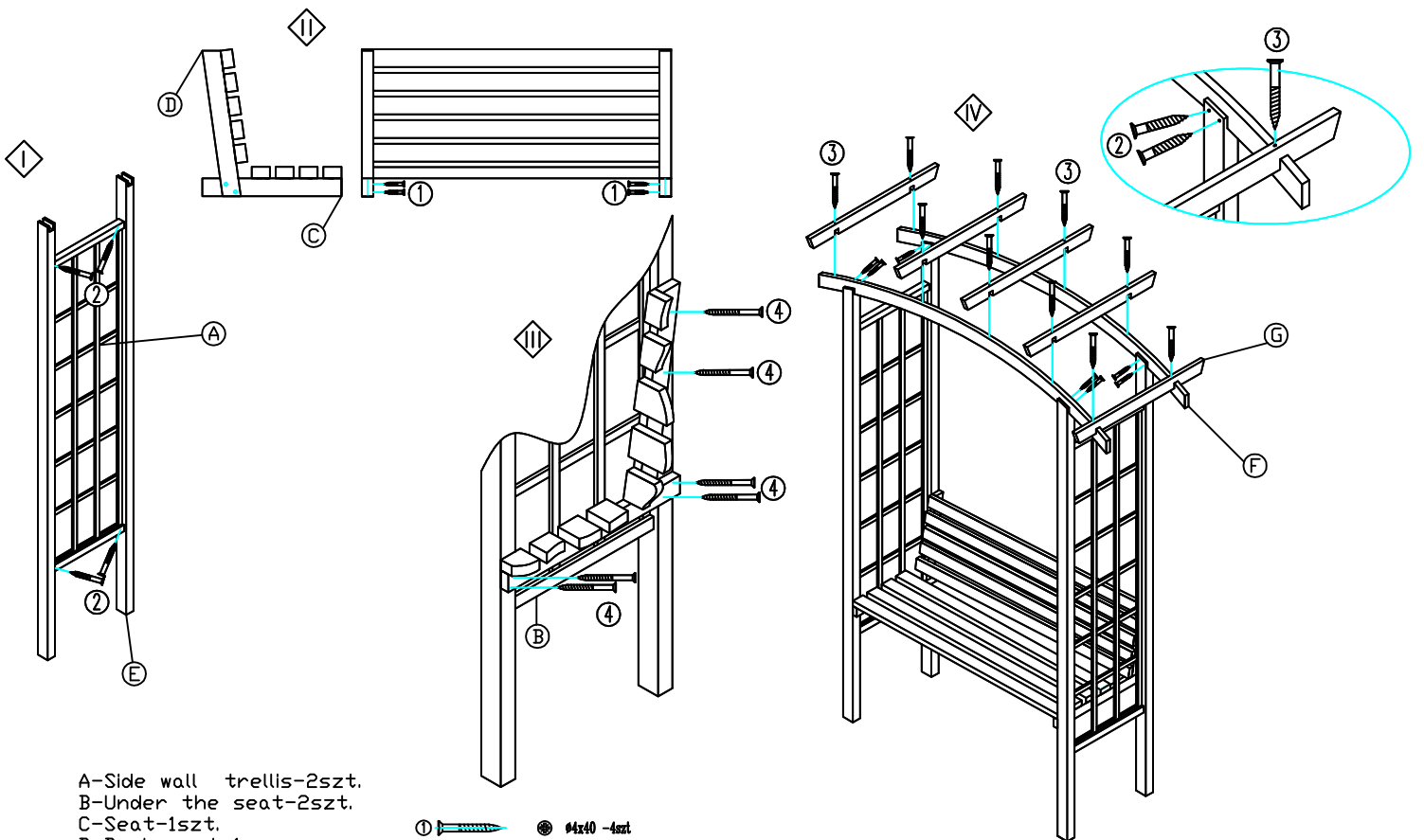


A-Side wall trellis-2szt.  
 B-Under the seat-2szt.  
 C-Seat-1szt.  
 D-Back rest-1sz.  
 E-Post-4szt.  
 F-Arch-2szt.  
 G-Roof-5szt.

- |   |  |   |   |   |   |   |   |   |   |
|---|--|---|---|---|---|---|---|---|---|
| ① |  | ● | ● | ● | ● | ● | ● | ● | ● |
| ② |  | ● | ● | ● | ● | ● | ● | ● | ● |
| ③ |  | ● | ● | ● | ● | ● | ● | ● | ● |
| ④ |  | ● | ● | ● | ● | ● | ● | ● | ● |

(F) Pour toutes les vis nous vous préconisons de creuser des trous!  
 (D) Vor dem Schraubeneindrehen soll man die Löcher bohren!  
 (UK) For all screws we advise to pre-bore the holes!



A-Side wall trellis-2szt.  
 B-Under the seat-2szt.  
 C-Seat-1szt.  
 D-Back rest-1sz.  
 E-Post-4szt.  
 F-Arch-2szt.  
 G-Roof-5szt.

- |   |  |   |   |   |   |   |   |   |   |
|---|--|---|---|---|---|---|---|---|---|
| ① |  | ● | ● | ● | ● | ● | ● | ● | ● |
| ② |  | ● | ● | ● | ● | ● | ● | ● | ● |
| ③ |  | ● | ● | ● | ● | ● | ● | ● | ● |
| ④ |  | ● | ● | ● | ● | ● | ● | ● | ● |

(F) Pour toutes les vis nous vous préconisons de creuser des trous!  
 (D) Vor dem Schraubeneindrehen soll man die Löcher bohren!  
 (UK) For all screws we advise to pre-bore the holes!